

## Datasheet for FUV8KW Series of FIVER



### 1. FUV8KW Specification:

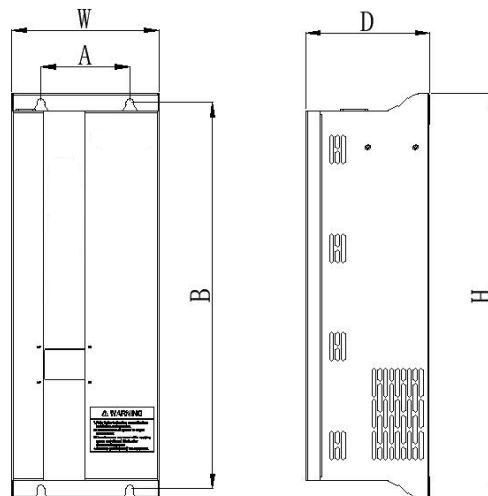
Model	Lamp power (KW)	Input voltage (V)	Input current (A)	Output voltage (V)	Max output current (A)	Recommend lamp voltage (V)
220V/1KW	1.0	220V AC	4.6/2.6	100-230	15	160
220V/2KW	2.0	220V AC	9.1/5.2	100-230	20	200
220V/3KW	3.0	220V AC	13.6/7.9	150-230	20	200
220V/4KW	4.0	220V AC	18.2/10.5	160-230	25	220
220V/5KW	5.0	220V AC	22.7/13.1	180-230	28	220
380V/3KW	3.0	380V AC	4.6	200-450	15	300
380V/4KW	4.0	380V AC	6.1	200-450	15	400
380V/5KW	5.0	380V AC	7.6	300-450	15	400
380V/6KW	6.0	380V AC	9.1	300-450	22	400
380V/7KW	7.0	380V AC	10.6	350-450	22	400
380V/8KW	8.0	380V AC	12.2	350-450	22	400

Note: If you can't find the model you need, please contact our sales for customize service.

## 2. Basic Specification

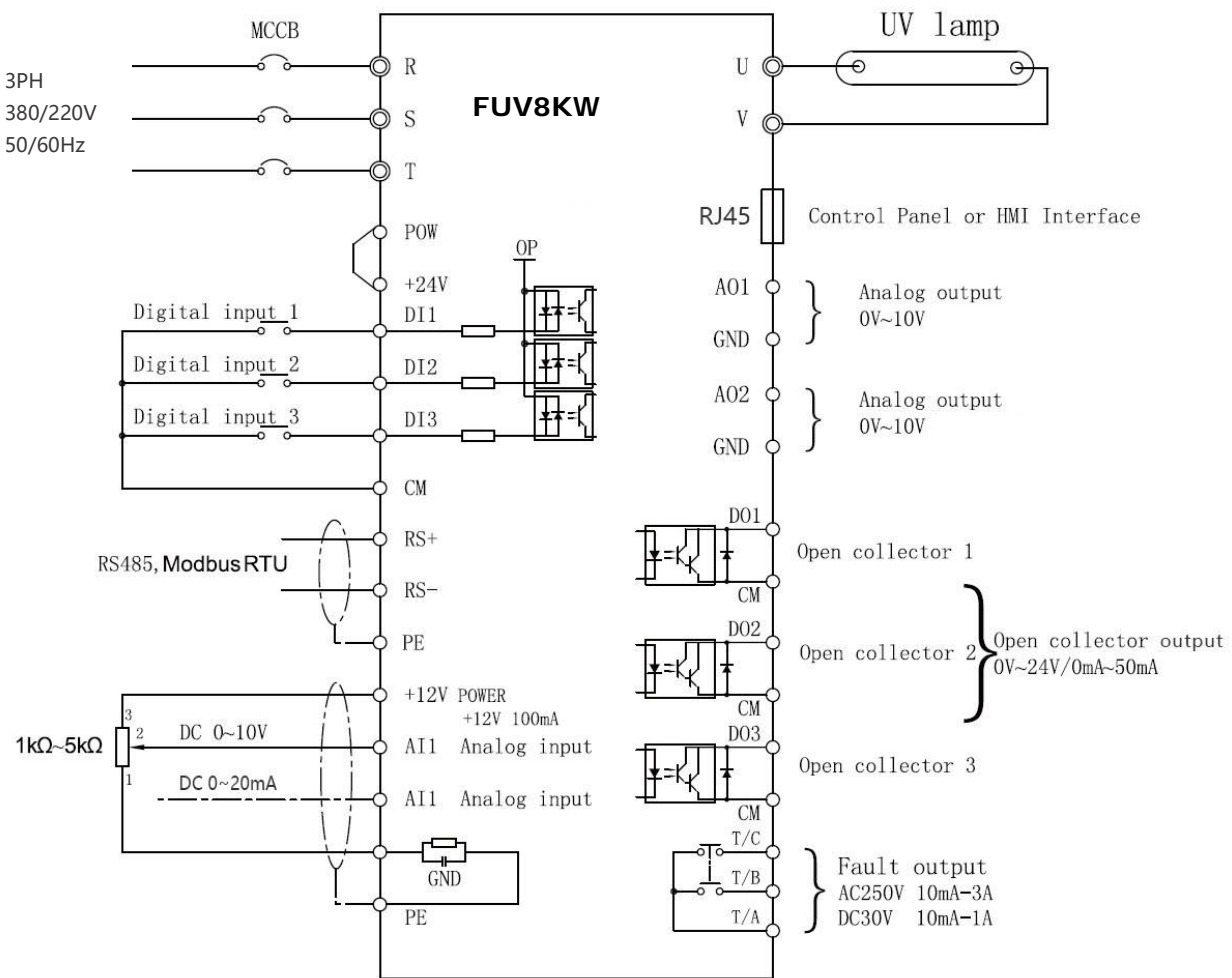
Input	Nominal voltage, frequency	220V or 380V 50/60Hz
	Voltage range	-10%—+15%
	Digital input DI	Standard configuration 3 digital input DI1/DI2/DI3
	Analog input AI	Standard: 0~10V voltage input(AI) or 0~20mA current input(AI)
Output	Output voltage	450V MAX
	Output frequency	1KHz-15KHz
	Digital output DO	Standard configuration 3 digital output DO1/DO2/DO3
	Analog output AO	2 channels, 0.0~10.0V voltage output signal
	Relay contact output	One group N.O/N.C contact (AC 250V/2A)
Protect/alarm function		Input phase loss, input under-voltage, input over-voltage, output over-current, output short circuit, EPS overheat, internal storage damage, output disconnection, temperature detection, etc.
Ambient temperature, humidity		-10°C to +45°C (no freezing) , below 90% (no frost)
Structure	Cooling method	Forced air cooling
	Protection Level	IP20

## 3. Installation Dimension



Power (kw)	Mounting hole (mm)		Dimension (mm)			Mounting aperture (mm)	Screw	Install method	N.W (KG)	G.W (KG)	Carton size (mm)
	A	B	H	W	D						
1-3 220V	90	392	410	150	126	Φ10	M8	Wall mounted	5.7	6.8	540*240*195
3-5 380V											
4-5 220V	100	418	440	170	139	Φ10	M8	Wall mounted	7.5	8.8	570*240*210
6-8 380V											

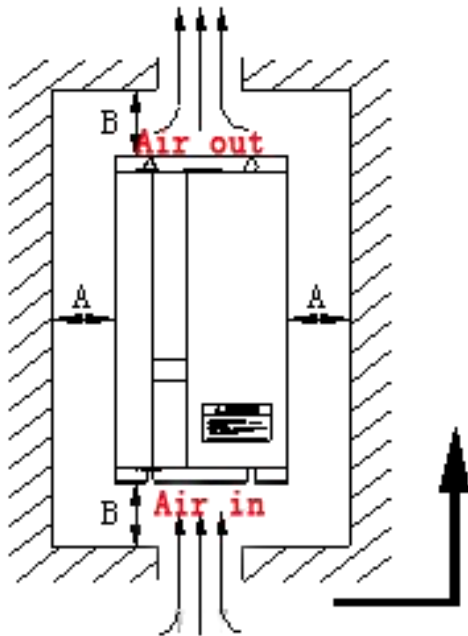
#### 4. UV power supply control loop wiring diagram



Note: "◎" Main circuit terminals, "○" Control circuit terminals

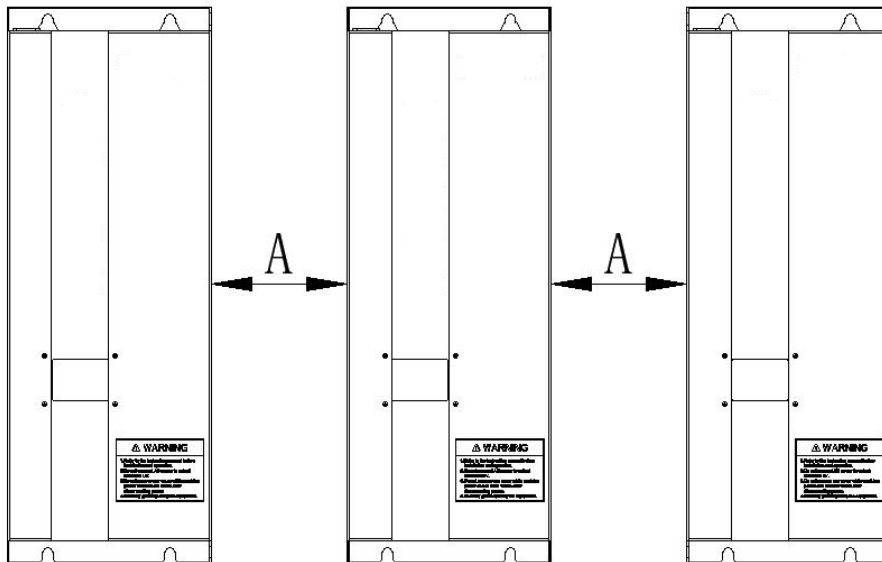
### 5. Installation requirements

- The installation space of UV electronic power supply requires as below:

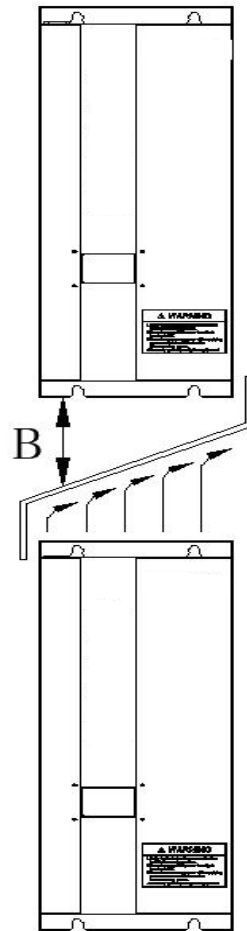


Power level	Size	
1.0KW-3.0KW 220V	A≥20mm	B≥100mm
3.0KW-5.0KW 380V		
4.0KW-5.0KW 220V	A≥50mm	B≥200mm
6.0KW-8.0KW 380V		

- The heat of EPS dissipates from the bottom part to the top. For more than 1 pcs EPS installation, Please have them installed side by side horizontally.



- Considering the heat dissipation performance, a mental plate is required to be installed as below If vertically installation is unavoidable:



### 6.Operation panel (optional)

